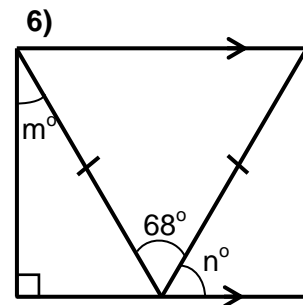
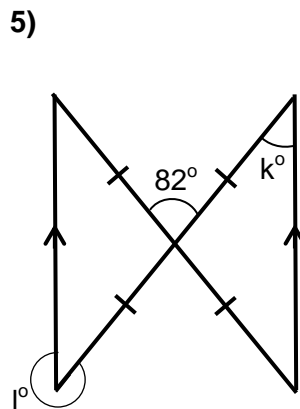
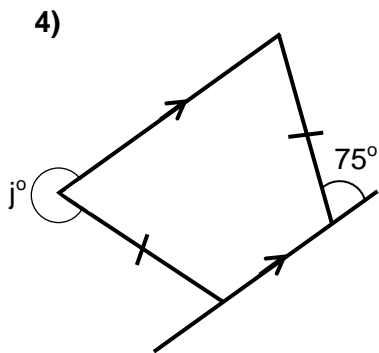
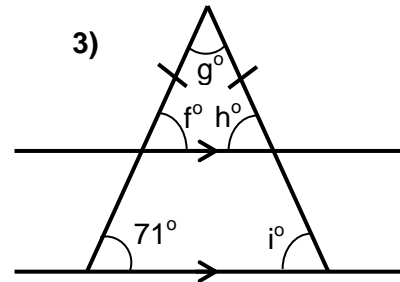
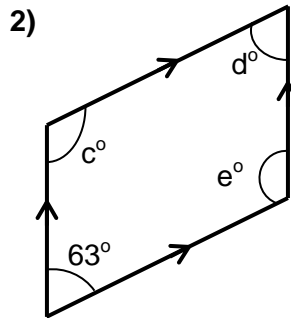
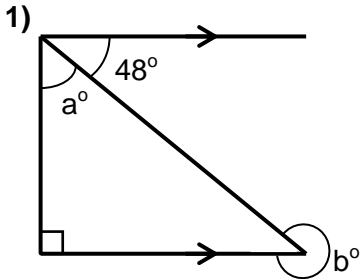


Section A: Find the missing angles.



Section B: Find the angle marked x°

